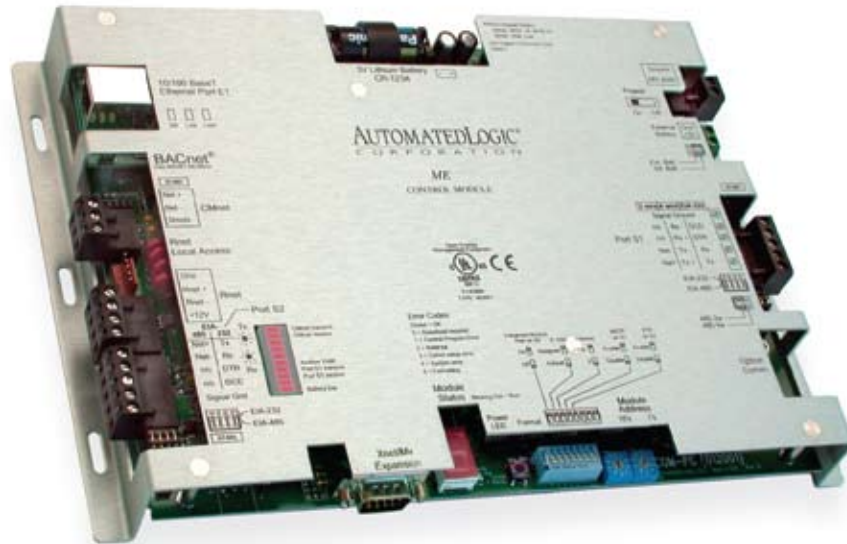


ME line

Powerful Multi-Equipment Controller



ME controllers have the speed, power, memory, and I/O flexibility to handle the most demanding control applications in the industry. Capable of controlling multiple pieces of equipment simultaneously, these robust BACnet controllers can support complex control strategies with plenty of memory for trends and schedules. Battery backed RAM and a real-time clock make these controllers ideal for critical applications, where the ability to recover from power outages and network interruptions is crucial.

Key Features and Benefits

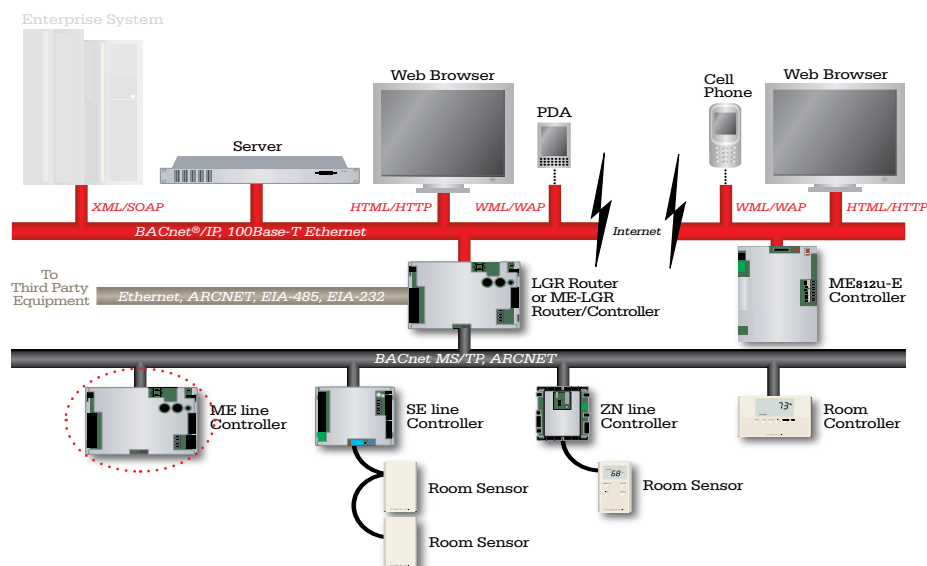
- Multi-equipment capabilities support general HV-ac applications including complex central plants.
- Native BACnet communications to field devices over a high-speed ARCNET 156 Kbps or BACnet MS/TP network.
- Controller units include an expansion port for MEx I/O expanders or previous generation MX expanders. Up to six MEx expanders can be mounted in a stack or remotely mounted for scalable control solutions.
- Designed with a high-speed true 32-bit micro-processor with cache memory, high performance 32-bit serial communications co-processor, ARCNET communications co-processor and CAN (Control Area Network) co-processor, ME controllers have the horsepower to serve the most demanding control applications.
- 16 MByte battery-backed SDRAM (32 bit wide), with 12 MBytes available for use, stores application programs, trends and other data when power is lost.
- 8 MByte Flash memory (32 bit wide) for easy field upgrades over the network.
- Battery backed real-time clock provides true standalone capabilities. Control modules recover from power failures providing full continuity of operations, even when communications are disrupted.
- Rnet port supports Automated Logic's line of RS room sensors and BACview⁶ local operator interface, and provides local access to the system.
- ME line controllers are fully graphically programmable and offer full peer-to-peer communications with other ME line, SE line or ZN line controllers. Graphical programs are universally understood and provide self-documenting control sequences.
- Tough construction delivers superior performance and reliability. Modules are constructed with a rugged aluminum cover which provides optimum electrical protection and noise immunity.

AUTOMATED LOGIC[®]
CORPORATION

1150 Roberts Boulevard
Kennesaw, Georgia 30144
770/429-3000
Fax 770/429-3001
www.automatedlogic.com

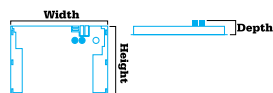
ME line

Specifications



BACnet Support:	Conforms to the BACnet Advanced Application Controller (B-AAC) Standard Device as defined in BACnet 135-2001 Annex L.
Communication:	The following ports are available on the ME modules: EIA-485 port for ARCNET 156 Kbps. EIA-232/EIA-485 configurable port for third party devices or MS/TP (9600 bps - 76.8 kbps). NOTE: EIA-485 is 2 or 4 wire selectable. Second EIA-232/EIA-485 configurable port for third party devices or system start-up. Local access port for system start-up and troubleshooting. Rnet port for RS room sensors. The Rnet port supports up to four RS Standard sensors and one RS Pro sensor for averaging or high/low select control. Rnet port can also support a local operator interface (BACview ⁶). I/O Expansion port for MEX or MX expansion modules.
Expansion:	Up to 192 points can be added using six MEX or MX expansion modules. MEX expansion modules can be mounted up to 100 feet away from the controller.
Microprocessor:	32-bit Motorola Power PC microprocessor with cache memory, high performance 32-bit communication co-processor, ARCNET communication co-processor and I/O expansion CAN co-processor.
Memory:	16 MByte non-volatile battery-backed SDRAM (with 12 MBytes available for use), 8 MByte Flash memory, 32-bit memory bus. (Shelf life of the battery is 10 years with 720 hours of continuous operation.)
Real-time Clock:	Battery-backed real-time clock.
Status Indicators:	LED status indicators for EIA-232/485 communication, and low battery status. Seven segment status display for running, error, and power status.
Module Addressing:	Rotary dip switches for intuitive network addressing of modules.
Protection:	Built-in surge and transient protection circuitry for power and communications.
Listed by:	UL916 (Canadian Std C22.2 No. 205-M1983), CE, FCC Part 15 - Subpart B - Class A.
Environmental Operating Range:	-20°F to 140°F (-29°C to 60°C); 10 to 90% relative humidity, non-condensing. NOTE: Control modules should be installed within the building.
Power Requirements:	24 V-ac ± 10%, 50-60Hz, 24VA, or 26 V-dc ± 10%, 10W. NOTE: Power consumption will increase when BACview ⁶ or other accessories are attached.
Physical:	Rugged aluminum cover. Removable screw terminal blocks.
Weight:	1.4 lb. (0.635 kg)

Dimensions:



Overall	
Width:	11-5/16" (287mm)
Height:	7-1/2" (190mm)
Depth:	2-3/4" (70mm) min. panel depth

Mounting*	
Width:	10-13/16" (275mm)
Height:	5" (127mm)

*Requires mounting in a protective enclosure.

